



Telecab17
Home Lift

Owner's
Manual

 savaria®

IMPORTANT

Ensure that only an authorized Savaria Dealer installs and services the Telecab17 Home Lift. Under no circumstances is anyone other than a dealer with Savaria training and authorization to install, adjust, service or modify any mechanical or electrical device on this equipment. Failure to follow this warning can result in safety system compromises or defeat; this can result in serious injury or death. Savaria accepts no liability for property damage, warranty claims or personal injury, including death, in this circumstance.

Passenger safety is the result of countless details in the equipment's design, manufacture, and installation. After installation, reliable operation and continual safe operation requires regular service and inspection at least twice per year, or more frequently where usage, environment, or local jurisdiction requires. As the Owner, you are responsible for ensuring that regular service and inspections occur in a timely manner.

Refer to this manual for specifications, operating instructions and maintenance of the Telecab17 Home Lift.

Upon completion of installation, the dealer must provide you with the following information and ensure it is recorded in this manual. In addition, either the dealer or you must keep any service and/or maintenance records in the Maintenance Record section of this manual.

WARRANTY

Ensure your Savaria Dealer provides you with a copy of the manufacturer's limited parts warranty and documentation relating to any Dealer labour warranty.

FOR OWNER'S RECORDS

Customer Name: _____

Installing Dealer: _____

Dealer's Telephone Number: _____

Date Installed: _____

Serial/Job Number: _____

TABLE OF CONTENTS

TO ENSURE SAFE OPERATION	3
1. DESCRIPTION	4
2. GENERAL SPECIFICATIONS	5
3. OPERATION	7
Operating from the COP Controls	7
Operating from the Landing Station Controls	8
4. SAFETY FEATURES	9
Safety Underpan and Floor Plug Sensors	9
Door Lock and Open Door Sensor	9
Safety Brake	10
Emergency Stop Button	10
Alarm Button	10
Manual Lowering and Battery Lowering System	11
5. MAINTENANCE	12
Maintenance Schedule	12
Maintenance Record	14
Operator Troubleshooting	15

TO ENSURE SAFE OPERATION

To ensure safe operation of this equipment, pay careful attention to the important notes below.

- Read this manual carefully before using the equipment.
- To prevent accidents, adhere strictly to the instructions and keep clear of moving parts at all times.
- Follow instructions on all equipment labels at all times. Replace any damaged labels immediately.
- Ensure that only qualified personnel perform maintenance and service on the unit.
- When replacing parts, be sure that only genuine Savaria parts are used.
- This unit is intended for use by a mature person who understands its proper operation as set out in this manual.



WARNING

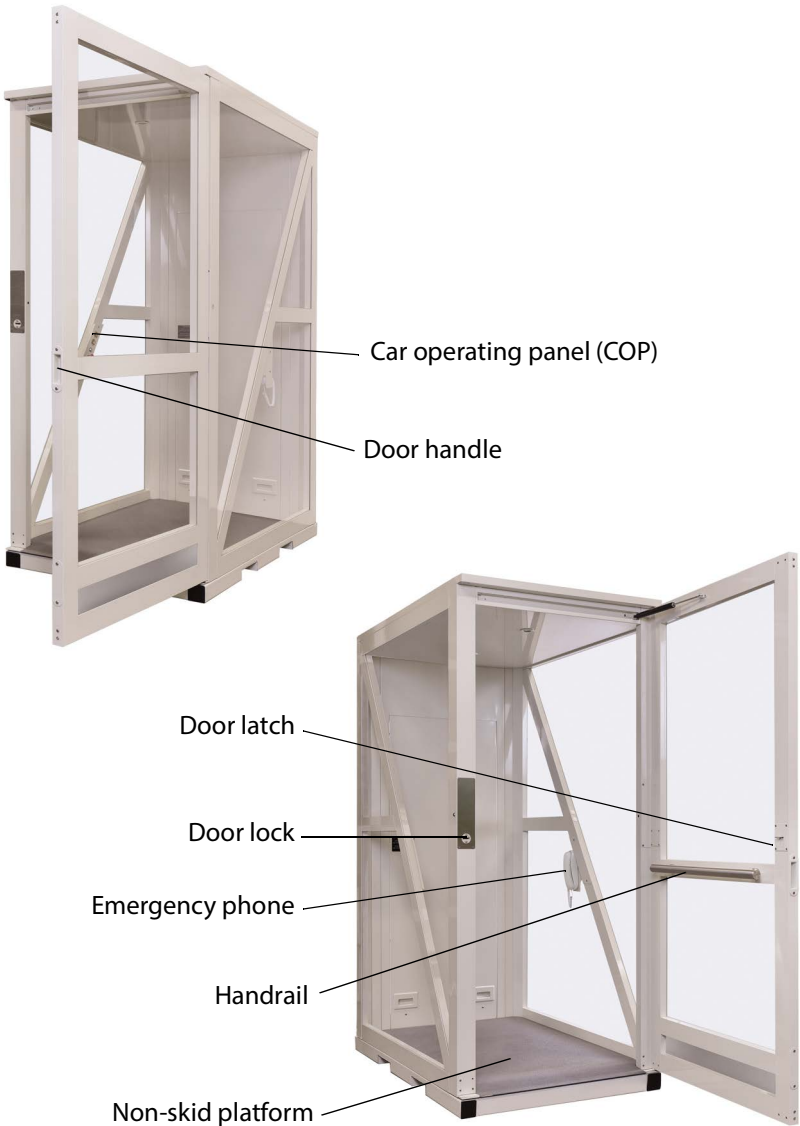
At no time should children under the age of 16 use the lift while unsupervised.

- Prior to operation, make sure that:
 - All doors and gates are locked and secure.
 - All areas in and around the lift are clear of any obstructions.
 - All lights are functioning properly.
- Test your keys and emergency stop button every month.

1. DESCRIPTION

Figure 1 shows the components of the Telecab17.

Figure 1



2. GENERAL SPECIFICATIONS

Telecab17 Specifications

Load capacity	845 lbs. (384 kg) for 30" x 46" cab and 36" x 54" cab
Maximum travel	23 ft (7.0 m)
Travel speed	20 ft/min (0.1 m/s)
Daily cycle	Normal: 30 Heavy: 75 Excessive: 100 Maximum starts in 1 hour on standard installation: 12
Tower	Modular 8 ft (2.4 m) base guide rail assembly Roller guide support
Control system	115 VAC relay logic operation 115 VAC up direction and 24 VDC down direction
Levels serviced	2 levels
Platform	Non-skid platform
Power supply (circuit supplied by others)	110 VAC, 20A, 60 Hz, single phase
Lighting supply (circuit supplied by others)	120 volt, 15A, 60 Hz, single phase
Motor/pump	24 VDC, 3 Hp (2.1 kW) Gear type hydraulic pump
Electrical	Automatic battery recharging system (115 VAC) Low voltage controls
Drive system	2:1 roller chain hydraulic
Temperature operating range	-10 °C to +40 °C (14 °F to 104 °F)
Minimum overhead clearance	96" (2438 mm) to have 6" minimum clearance by code 92" (2337 mm) with variance
Cab access	Front access only
Cab sizes	30" x 46" x 80" (762 mm x 1168 mm x 2032 mm) 36" x 54" x 80" (914 mm x 1372 mm x 2032 mm)

Hall calls	Continuous pressure directional push buttons Keyed call/send
Color and finish	White electrostatic powder coat Clear acrylic windows
Safety features	Adjustable top floor presence detector built into the cab Door interlock Hydraulic door closer Underpan safety sensor Emergency stop and alarm Emergency battery lowering Manual emergency lowering Fully-enclosed drive tower Pressure relief valve to prevent platform overload Slack chain safety device Two LED lights in cab Telephone in cab
Options	Battery backup Savaria Link remote monitoring

3. OPERATION

Operating from the COP Controls

Figure 2 shows the car operating panel (COP) controls.

To operate the Telecab17 from the COP controls:

- 1 Enter the cab and close the door.
- 2 Insert the key into the key switch and turn it clockwise to the operating position. The key is in the operating position when it cannot be pulled out.
- 3 Apply constant pressure on the appropriate Up or Down arrow button to move the Telecab17 in the desired direction. Note the following:
 - The Telecab17 will not move if the door is open.
 - The Telecab17 will stop moving in the down direction if the underpan sensor detects an object underneath it.
 - The Telecab17 will stop moving in the up direction if it reaches the floor plug and the floor plug sensor detects an object on it that weighs more than 20 lb (9.1 kg).
- 4 When the cab reaches the landing, the door will unlock automatically.
- 5 Exit the cab and close the door.
- 6 To prevent unauthorized use of the lift, take the key out when the unit is not in operation.
- 7 Pressing the Emergency Stop button during travel will stop the lift immediately and activate the alarm. The Emergency Stop overrides the landing station (hall call) controls. Pull the Emergency Stop out to return the lift to normal operation.
- 8 Pressing the Alarm button during travel will activate the alarm. If the door is locked at a landing, you can press the Alarm button to unlock the current landing door.

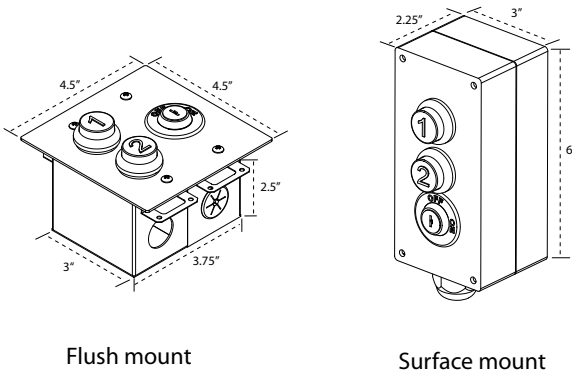
Figure 2



Operating from the Landing Station Controls

Figure 3 shows the different types of landing station (hall call) controls.

Figure 3



To operate the Telecab17 from the landing station (hall call) controls:

- 1 Insert the key into the key switch and turn it clockwise to the operating position. The key is in the operating position when it cannot be pulled out.
- 2 Apply constant pressure on the appropriate up/down arrow button to move the Telecab17 in the desired direction. Note the following:
 - The Telecab17 will not move if the door is open.
 - The Telecab17 will stop moving in the down direction if the underpan sensor detects an object underneath it.
 - The Telecab17 will stop moving in the up direction if it reaches the floor plug and the floor plug sensor detects an object on it that weighs more than 20 lb (9.1 kg).
- 3 When the cab reaches the landing, the door will unlock automatically.
- 4 Enter the cab and close the door.
- 5 Press the appropriate up/down arrow button to travel to the desired landing.
- 6 To prevent unauthorized use of the lift, take the key out when the unit is not in operation.

4. SAFETY FEATURES

Safety Underpan and Floor Plug Sensors

The safety underpan (Figure 4) is located under the Telecab17 platform. The underpan has sensors that detect any obstacles and stop the downward travel of the lift.

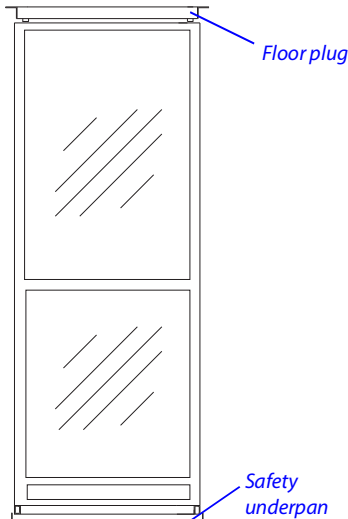
The floor plug sensors (Figure 4) are located on top of the Telecab17 and will stop the upward travel of the lift if an obstacle that weighs more than 20 lb (9.1 kg) is detected on the floor plug.



WARNING

The maximum load allowed on the floor plug when not in use is 845 lb (384 kg).

Figure 4



Door Lock and Open Door Sensor

The WR-500 lock keeps the cab door locked when the Telecab17 is operating or not at a landing.

The door open sensor prevents the Telecab17 from moving when the cab door is open.

Emergency Door Opening

The cab door can be opened using the emergency key provided (note that two identical emergency keys are provided).

To open the door in an emergency situation, insert the key into the hole of the WR-500 lock (Figure 5) and turn it.

Figure 5



Note that the key is for emergency use only and should be stored in a safe place.

NOTE

After use of any emergency function (access key or manual lowering device), ensure that all doors/gates are secure and locked. While the emergency function is in use, DO NOT leave the area unattended.

Safety Brake

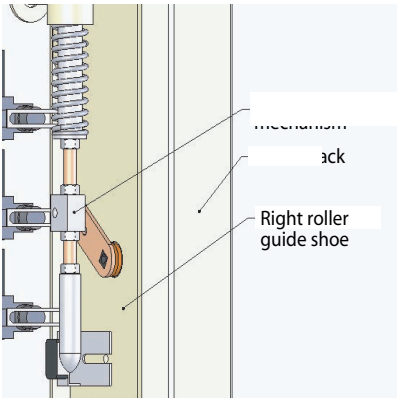
The safety brake stops the platform in the event of chain failure.

When the platform is in operation, the chain tension keeps the brake mechanism up (Figure 6) so that the brake's cam doesn't interfere with the tower track.

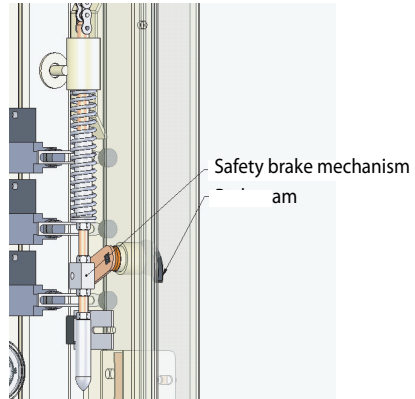
If a chain failure occurs, the brake mechanism comes down (Figure 6) and the brake cam stops the platform.

Figure 6

Safety brake in operating position



Safety brake in down position



Emergency Stop Button

Pressing the red Emergency Stop button during travel will stop the lift immediately and activate the alarm. The Emergency Stop overrides the landing stations (hall calls). Pull the Emergency Stop out to return the lift to normal operation.

Alarm Button

Pressing the Alarm button during travel will activate the alarm. If the door is locked at a landing, you can press the Alarm button to unlock the current landing door.

Figure 7

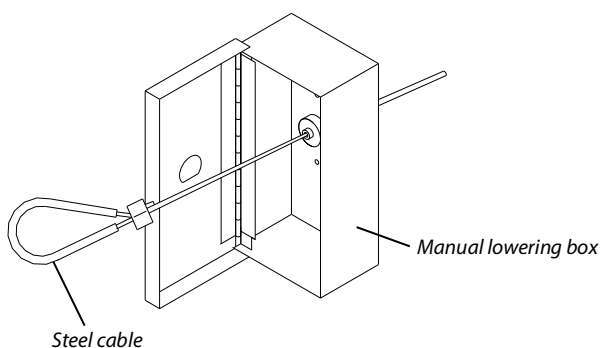


Manual Lowering and Battery Lowering System

If a power failure occurs, a battery lowering system will bring the Telecab17 to the bottom level. If the battery fails while operating, there is also a remote manual lowering device that you can use to lower the Telecab17 to the bottom level.

The manual lowering box (Figure 7) is located on the side of the Telecab17. Pull on the steel cable located inside the manual lowering box to lower the Telecab17 to the bottom level.

Figure 7



NOTE

This mechanism is for emergency use only. After use of any emergency function (access key or manual lowering device), ensure that all doors/gates are secure and locked. While the emergency function is in use, DO NOT leave the area unattended.

5. MAINTENANCE

NOTE

Regular maintenance (performed by your Authorized Savaria Dealer) will keep your unit in proper operating condition. As the owner of this unit, you are responsible for making sure that maintenance and upkeep are done on a regularly scheduled basis. To ensure proper operating condition of your unit, the items listed below must be performed every 6 months by an Authorized Savaria Dealer.

Additional inspections may be required depending on usage.

Units installed in adverse environments will require additional maintenance on a monthly basis

IMPORTANT: Please test the phone in your lift during every maintenance. If the phone is inactive, please shut down the lift until the phone line is active. This applies to all lifts in a hoistway or enclosure models

Maintenance Schedule

Verification	Frequency
Verify general operation of the Telecab17	Every 2 months
Verify operation of the safety devices: <ul style="list-style-type: none"> • Underpan sensors (safety switches) • Floor plug sensors (safety switches) • Door contact • Door lock • Emergency stop 	Every 2 months
For units with an interlock, the lift should not move if any door is not closed and locked. The lift should not move beyond the door zone (usually less than four inches away from the landing in either direction) if the door is not locked.	Every 2 months
Verify correct operation of the phone	Every 2 months

<p>Verify the door lock operation:</p> <ul style="list-style-type: none"> • The lift is operational when the door is locked • The lift is NOT operational when the door is open at a landing • Insert the lock key to manually unlock the door and ensure the following: <ul style="list-style-type: none"> • The lift is NOT operational when the door is manually unlocked with the key • The key cannot be removed from the lock when the door is manually unlocked 	Every 6 months
Verify operation of the emergency lowering system	Every 6 months
Verify operation of the safety brake	Every 6 months
<p>Check the safety components:</p> <ul style="list-style-type: none"> • Chains • Chain connecting links • Chain pulleys and shafts • Parts holding the chains on the roller supports • Chain tensioners on the rail (ensure they are tight) • Cylinder head (cotter pins, cracks, welds) • Hydraulic system (check for leaks) • Fastening devices (check for looseness) • Up relays – verify that one of the two up relays is not stuck in the activated position. Use a multimeter to verify that every normally-open contact is open when the relays are not being activated. 	Every 6 months
Check the rollers (function and wear)	Every 6 months
Check for oil leaks	Every 6 months
Check the hydraulic fluid level	Every 6 months
Check the battery fluid level (optional system). Also check the voltage with the charger unplugged (13 VDC unloaded and no lower than 10-11 VDC when running up/down).	Every 6 months

Operator Troubleshooting

The following table lists potential problems and their possible solutions.

If the problem persists, contact your Authorized Dealer.

Potential Problem	Possible Solution
Telecab17 goes up but does not come down.	Check the underpan sensors. Pull down on the underpan to ensure the pan is not stuck in the activated position.
Telecab17 comes down but does not go up.	Check the power supply (breaker, cord, battery, etc.). Check the floor plug switches. Lift the floor plug to ensure it is not stuck in the activated position.
Telecab17 does not move.	Check that the key turned to the on position. Check that the door is closed. Check to see if the Emergency Stop is pushed in; it should be pulled out for normal operation. If the Telecab17 is at the bottom landing, check the floor plug switches as described above. If the Telecab17 is at the top landing, check the underpan sensor as described above.

Telecab17

Home Lift

Owner's Manual

For service or questions about this product,
please contact your installing dealer.

Dealer Name: _____

Dealer Phone: _____

Authorized Savaria Dealer

Savaria Concord Lifts, Inc.
2 Walker Drive Brampton ON L6T 5E1 Canada



savaria.com

Part No. 001081

©2021 Savaria Corporation